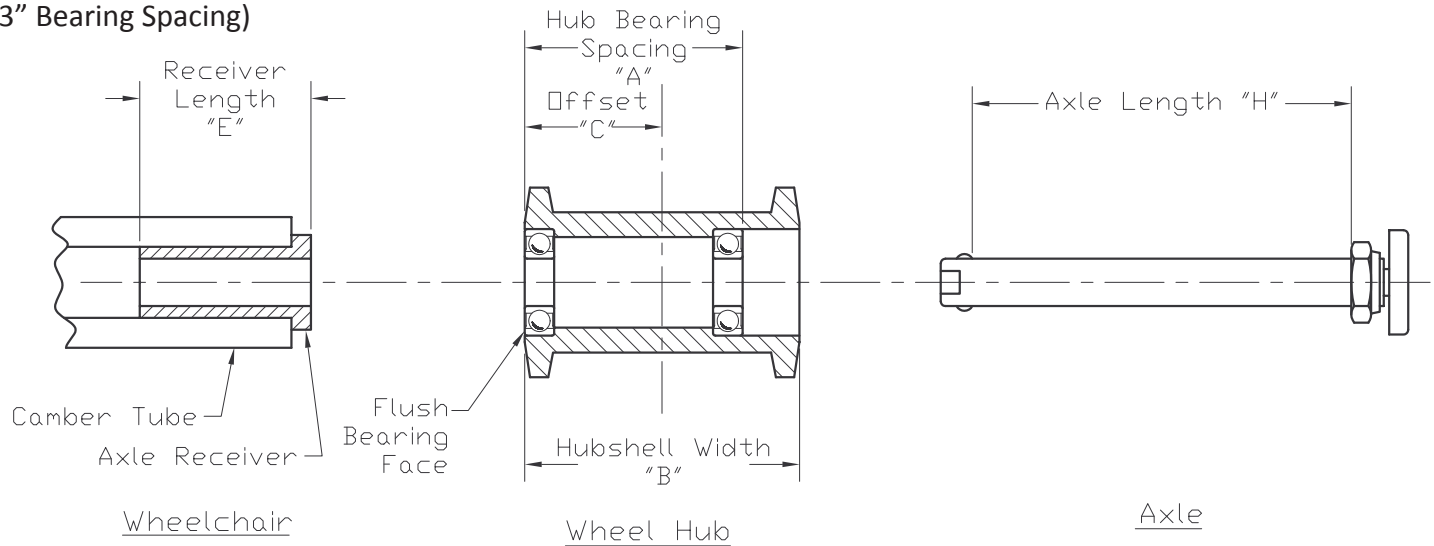


Flush Inboard Hub Bearing Version (2.3" Bearing Spacing)



Bearing Spacing Comparative Grid

Dimension Label	A	B	C	D	E	F	G	H
Description	Bearing Spacing	Hub Width	Centerline Offset	Bearing Recess	Receiver Length	Receiver Protrusion	Receiver Head Dia.	Axle Length
Notes	Outside-to-outside	Overall width of hub	Distance from inboard bearing face to wheel centerline	of inboard wheel bearing	of wheelchair	of wheelchair	of wheelchair	of wheelchair
Topolino Carbon Core WX2.5 - 2.3" bearing spacing	2.30"	2.90"	1.45"	None (bearing is flush with hub shell)	see receiver/axle chart	Any	Any	see receiver/axle chart
Topolino Carbon Core WX2.5 - 1.9" bearing spacing	1.90"	2.90"	1.05"	0.40"	see receiver/axle chart	0.45" (7/16") minimum	1.06" (1-1/16") maximum	see receiver/axle chart

Recessed Inboard Hub Bearing Version (1.9" Bearing Spacing)

